

Door Installation Guide

When the installation of a fire-resistant door set in a building has been completed it can only be certified if the door is installed to the manufacturer's instruction.

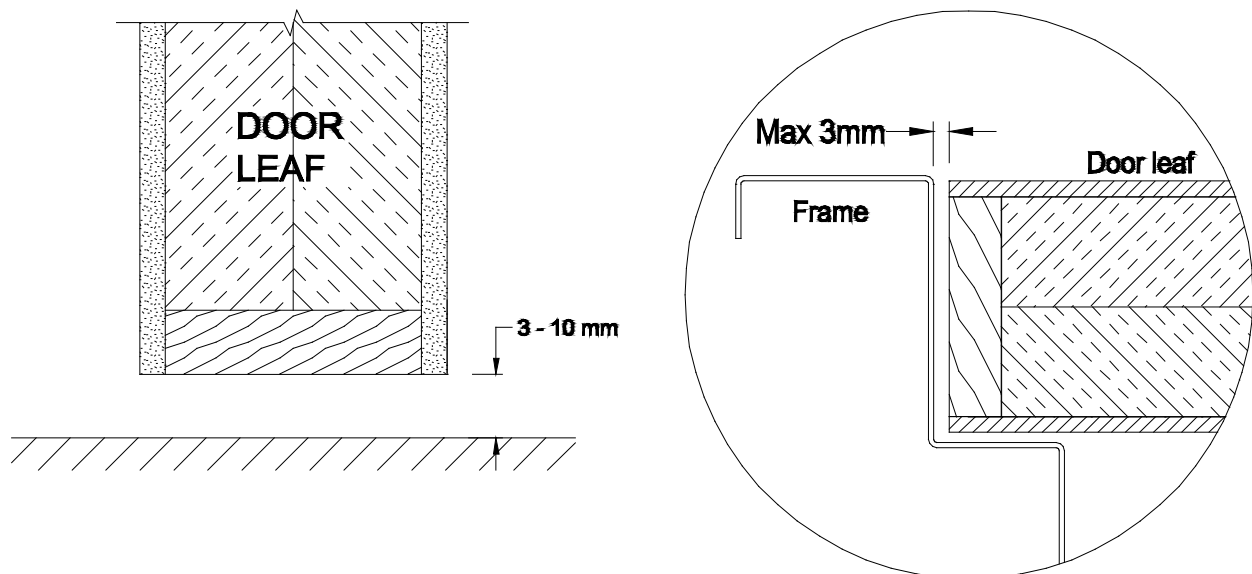
Any hardware that is installed must be tested and approved on Touchwood Fire Doors Pyropanel Doors.

The threshold must be non-combustible.

All frames must be fully grouted for masonry walls, and partitions/stud walls be packed with strips of plasterboard or fire seal Rockwool

A fire door must be self-latching and self-closing using tested and approved hardware. (Contact Touchwood for information on tested hardware)

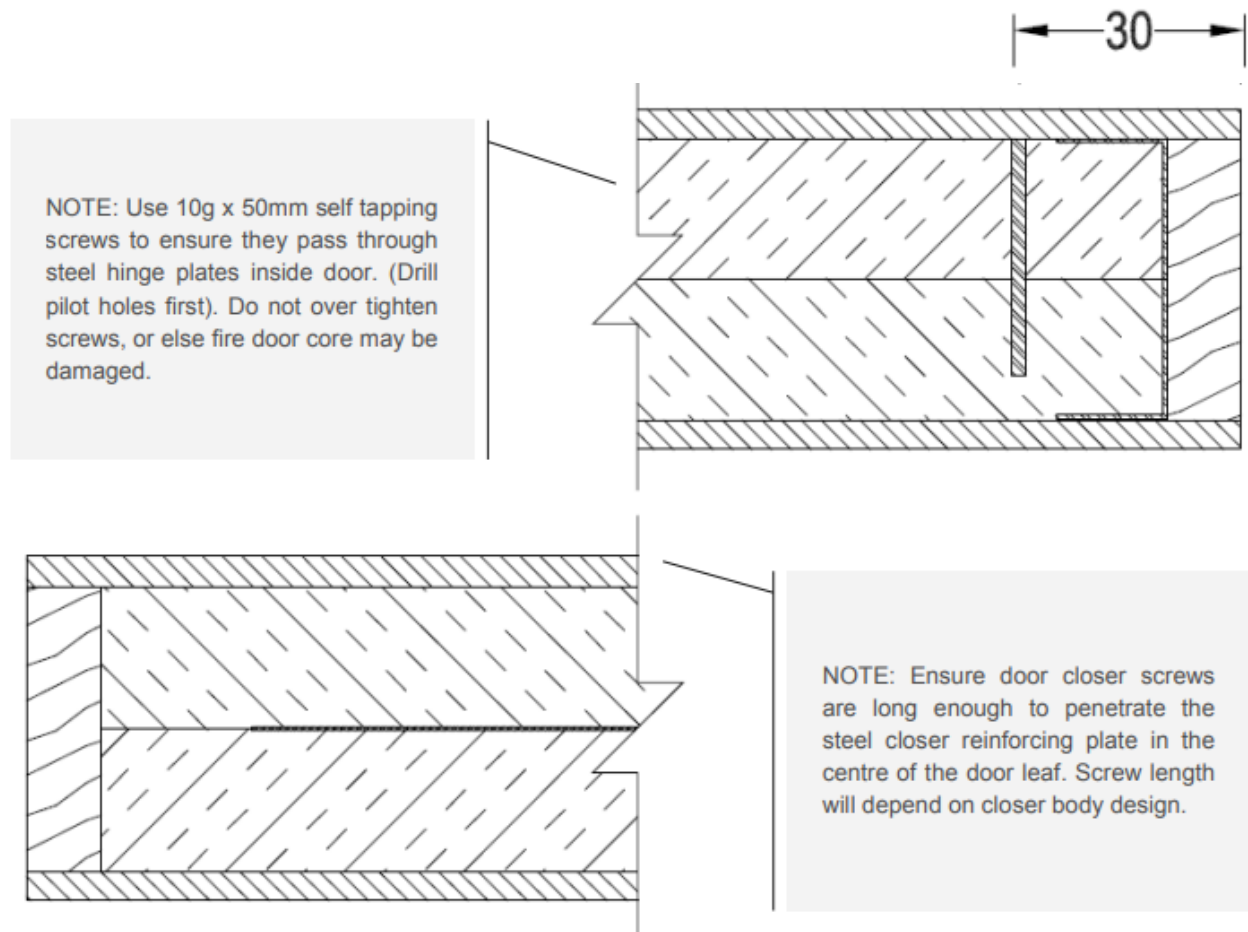
Maximum clearance as per AS1905-1, 3mm to top and sides and not less than 3mm and maximum 10mm to bottom of door and 5mm between the frame stop and the door.



Trimming Allowance 3mm top, sides and bottom of doors, bottom of doors can be cut up to 20mm, but you must contact Touchwood to seek further advice on how to re-rail the doors, all fire doors must have timber railing around the core.

Fixing hinges to the door. Use 10g x 50mm self-tappers screws. (You must drill a pilot hole first otherwise the door styles will crack and void the warranty). The hinges must be rebated into the edge strip of the door and cannot be surface mounted. Do not over tighten screws, or else fire door core may be delaminated. If a pilot hole is not done for any screw fixing to a door it will crack the edge strip and cannot be certified.

Installation of Door Closer



Single Door

Closer and lock or latching.

Double Door

Single Door Set Lock or latching, closers on each leaf, Sequence selector, head latch or auto shoot bolt. Fire rated meeting styles. (There is tested variations to this tested system, please check with Touchwood Doors) The door frame must be fixed as per tested prototype. Fixed to a fire rated wall as tested with approved ties, brackets or anchors.

For any other queries or information on fire door installation please call Touchwood Fire Door